

# Timer

## SETUP

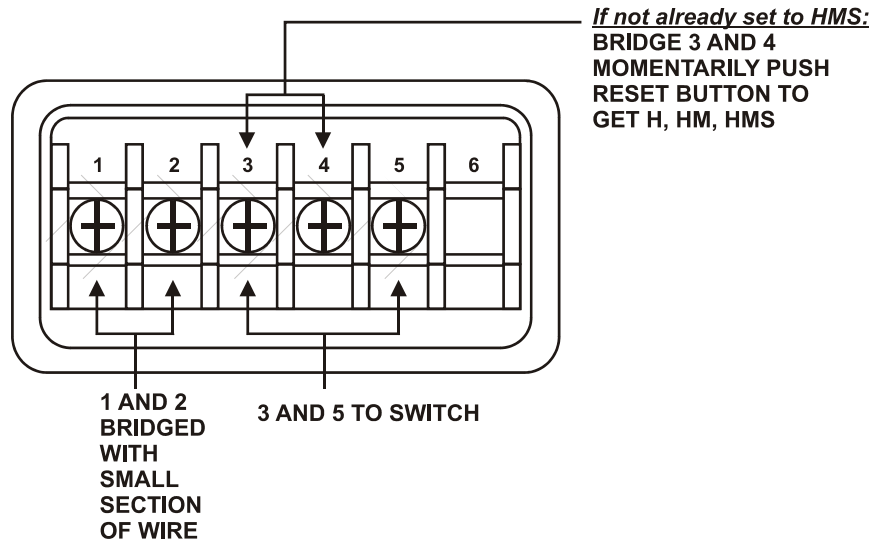


Figure 3-7 MC-T Timer Setup

Reset button (RST) is on the front of the unit. All timers are set by Apex Instruments to HMS (Hours, Minutes, Seconds). Timers can be set to customer's specifications.