

# AFD-510

## FLOW DRAWER

### Apex Instruments Flow Drawer

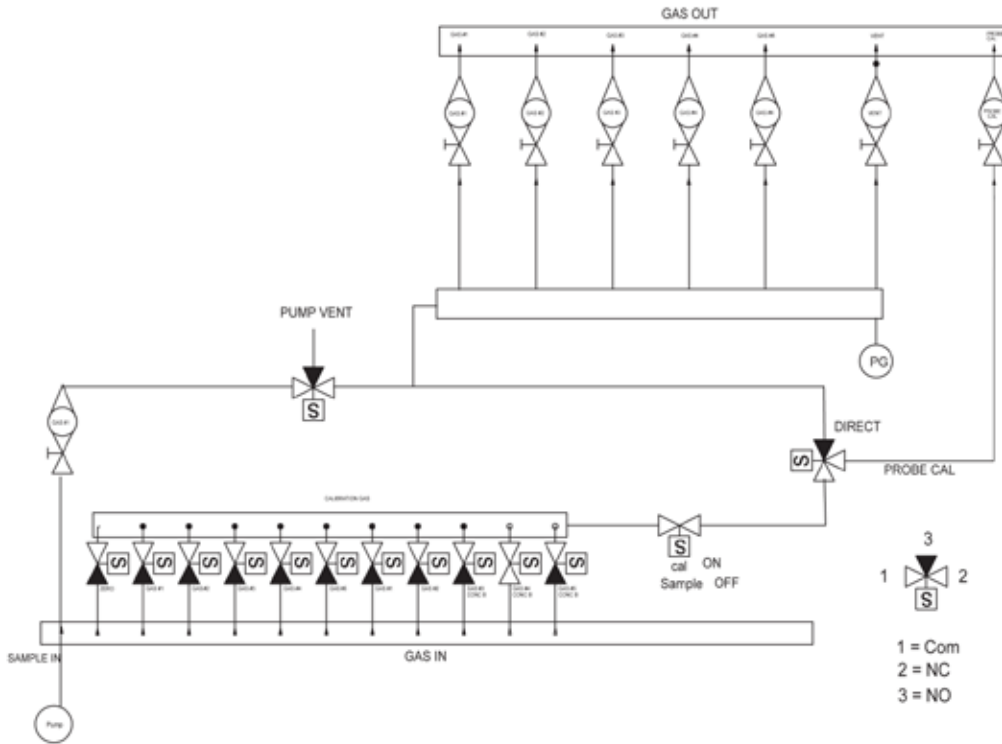
The Apex AFD-510 is designed to be an easy, convenient, and compact way to control the flow of both stack and calibration gases. This new panel can flow gas to either the analyzer bank (Direct calibrations) or the probe (System calibrations), and has both automatic and manual controls. This unit has been designed with simplicity in mind. It has the same common solenoids and a simplified wiring protocol. The calibration gas in use is identified by a LED along with which mode you are in and if you are sampling or calibrating. One big benefit of the Apex Instruments AFD-510 is that in sampling mode all solenoids are at "rest" which greatly extends the life of the unit.



**AFD-510**

### Features

- 11 Calibration Gas Channels (including zero and span)
- 5 Output or Analyzer Channels
- Designed for Easy Maintenance & Repair
- Manual or Automatic Operation
- 19" Rack Mountable
- 8 Valved Rotometers for Fine Flow Control/Adjustment
  - 5 analyzer rotometers
  - 1 vent rotometer
  - 1 probe calibration
  - 1 sample flow rotometer



### Specifications

#### Input Cal-Gas Channels:

Standard Flowmeters: Sample 1.0-10 LPM  
 KMR-3A15SVVT Vent 1.0-10 LPM

#### Output Gas Channels:

Flowmeters Available: 0.5-0.5 LPM KMR-3A12SVVT  
 0.1-1.0 LPM KMR-3A13SVVT  
 (Specify 6 For Probe Cal and Analyzers) 0.21-2.5 LPM KMR-3A23SVVT  
 0.41-5.0 LPM KMR-3A14SVVT

**Voltage:** 110.220 VAC, 50/60 Hz

**Power:** 25 Watts

**Mounting Dimensions:** 4U, 19" Rack Mount,  
 7" Height x 19" Width x 18" Depth

**Weight:** Approximately 24 lbs

**Pressure Gauge:** 0-15 psi

**Connections:** 1/4 Inch Stainless Steel Tube Union



**AFD-510 Shown in Portable Gas Analysis Unit**