

METHOD 8

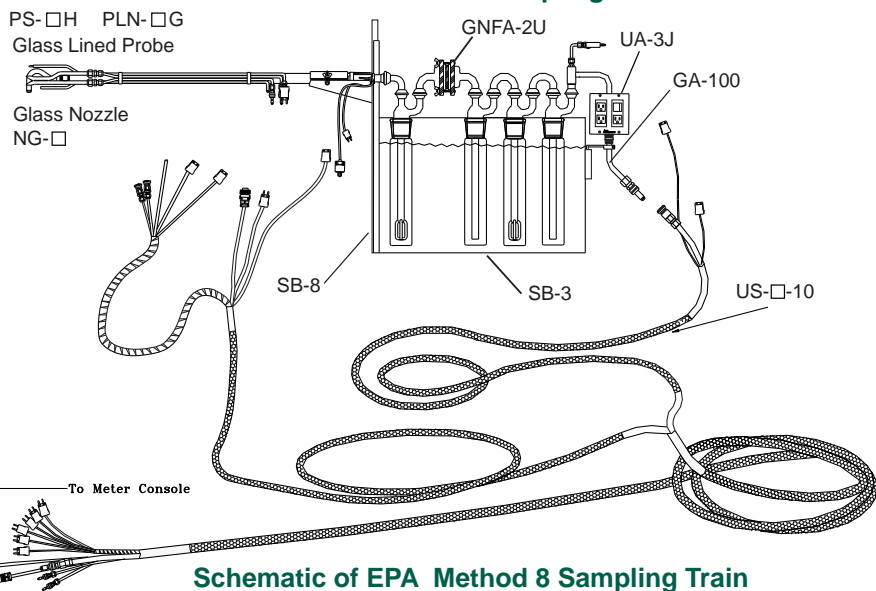
The Method 8 Sampling Kit is used with either the XC-522 or XC-572 Meter Console and an external sample pump for the determination of sulfuric acid mist and sulfur dioxide emissions from stationary sources. U.S. EPA Reference Method 8 was originally developed to test emissions from sulfuric acid plants but has been adapted to sample emissions from sulfur dioxide sources. Call for details on Flexible Arrangements. Add "V" to end of part number for 240V at no extra cost.



Method 8 Sampling Kit

METHOD 8 RECOMMENDED ACCESSORIES

Part	Description
SB-8	Sample Frame with Probe Clamp
UA-3J	Power Box Adapter
GNFA-2U	2" Filter Assembly, Unground Glass with 90° Inlet and Outlet, Open Style Alum Clamp



Schematic of EPA Method 8 Sampling Train

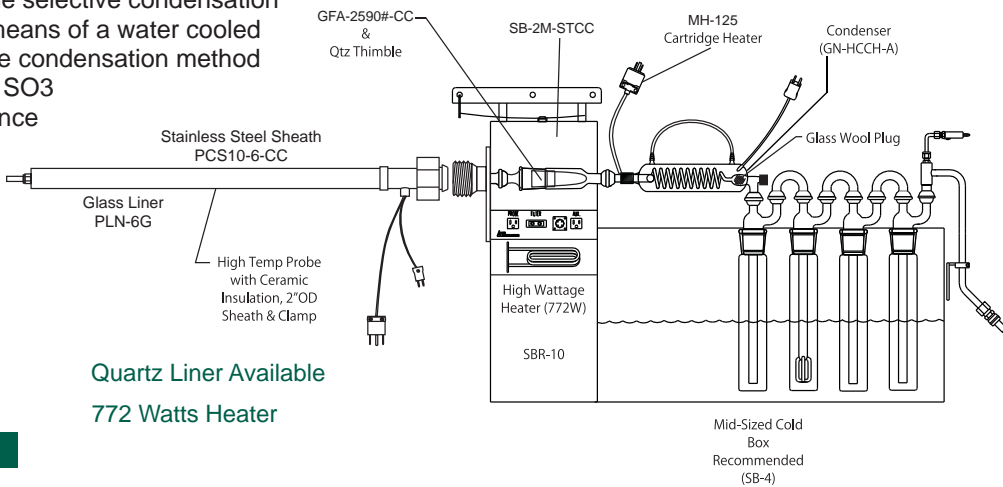
CONTROLLED CONDENSATE

Conditional Test Method CTM-13

Controlled Condensate is an alternative to EPA Method 8 for determining sulfuric acid emissions. Sulfuric acid vapor or mist and the sulfur dioxide are separated, by controlling the condensation based on difference in dew points, and both fractions are measured separately by the barium-thorin titration method. Controlled condensation method is the primary sampling and analytical tool for quantifying sulfuric acid emissions from stationary sources. The method is based upon the selective condensation of sulfuric acid from a gas stream by means of a water cooled condenser. The major advantage of the condensation method is that it provides reliable reproducible SO₃ and SO₂ values with minimal interference from high SO₂ concentrations. There are several versions of the method. Option "V" is added for 240V.

SK-CC

SK-CC-V



Quartz Liner Available
772 Watts Heater

Mid-Sized Cold Box Recommended (SB-4)

Sampling Kit Available