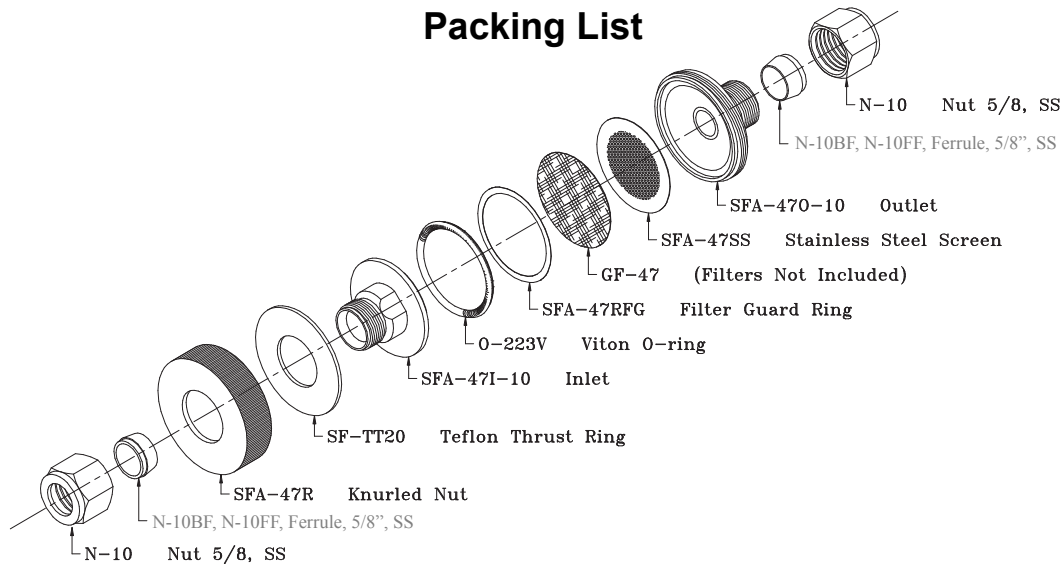


## 47mm Stainless Steel Filter Assembly SFA-47 Packing List



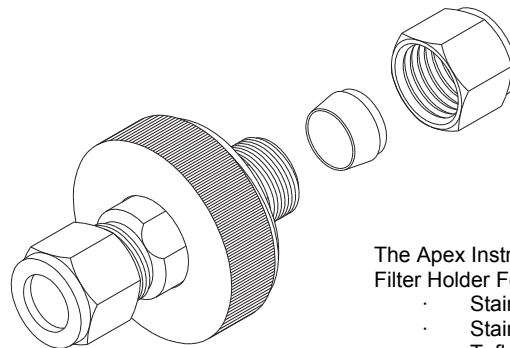
### SFA-47 Assembly Includes:

Part #	Description	Quantity	Qty Shipped
SFA-47R	Threaded Ring for SFA-47	1	
SF-TT20	Teflon Thrust Ring	1	
SFA-47I-10	Inlet of SFA-47	1	
O-223V	Viton O-Rings (260°C/500°F)	3	
SFA-47RFG	Filter Guard Ring	1	
SFA-47SS	Stainless Steel Support Screen	1	
SFA-47O-10	Outlet for SFA-47O-10	1	
N-10	Nut, Stainless Steel 5/8"	2	
N-10BF	Back Ferrule, Stainless Steel 5/8"	2	
N-10FF	Front Ferrule, Stainless Steel 5/8"	2	

### Replacement Parts & Accessories

Part #	Description
MPT-6-218	Extended Pitot Tip for SFA-47
O-223H	Stainless Steel O-Ring for High Temperatures (650°C/1200°F)
O-223T	TFE Encapsulated O-Ring
GF-47	47mm Glass Fiber Filters-100/box
GF-47T	47mm TFE Coated Glass Fiber Filters-100/box
TF1121	TFE Membrane, 47mm; .45 micron, 10/pkg
TF1131	TFE Membrane, 47mm; 1-2 micron, 10/pkg
TF1141	TFE Membrane, 47mm; 5-7 micron, 10/pkg
SFA-47SS	Stainless Steel Support Screen
SFA-47RFG	Filter Guard Ring

## 47mm Stainless Steel Filter Assembly SFA-47

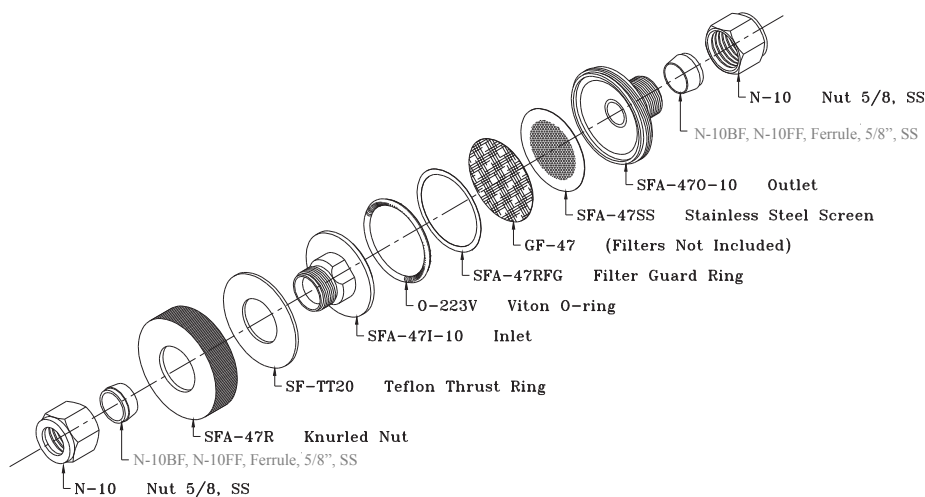


The Apex Instruments 47mm Stainless Steel Filter Holder Features:

- Stainless Steel Housing
- Stainless Steel Support Screen
- Teflon Thrust Ring
- Viton O-ring
- Stainless Steel Filter Guard Ring

**Figure 1 Assembled 47mm Stainless Steel In-stack Filter with Nozzle**

The USEPA Method 17 In-stack Filtration's primary function is to remove the particulate at the stack temperature in order to address the variability with the greatest effect. Stack pressure has a negligible effect. Therefore particulate matter is withdrawn isokinetically from the source and collected on a glass fiber filter maintained at stack temperature. The particulate mass is determined gravimetrically after removal of uncombined water.



**Exploded View of the Standard 47mm Stainless Steel In-stack Filter Assembly (SFA-47)**