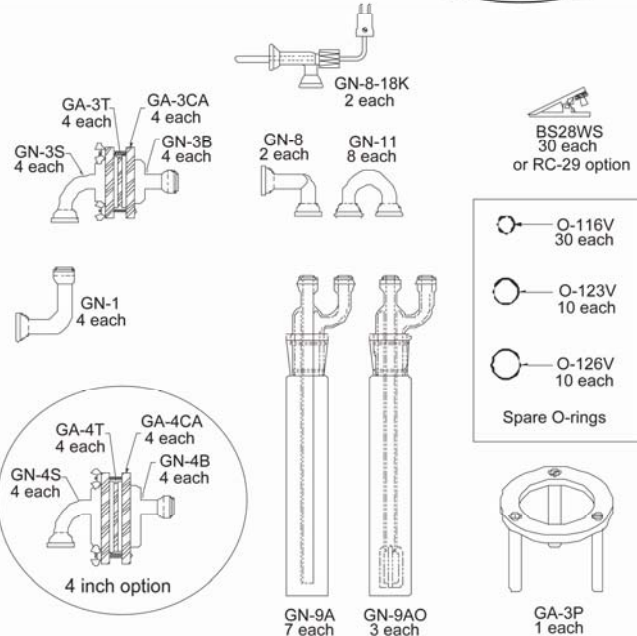
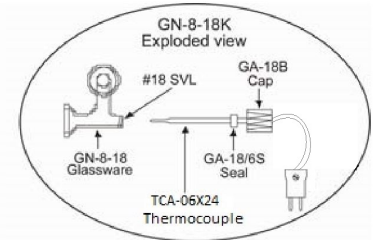


Deluxe Glassware Set #GN-DGS Packing List

IMPORTANT!

Unpack the contents carefully, saving all of the packaging material until the parts have been examined for shipping damage. Check each item against the packing list below. If any item is damaged or missing, notify your supplier or Apex Instruments immediately. **If the glass is damaged from shipment, all of the packing material is needed to make a claim.**



Deluxe Glassware Options

Filter Assembly Size
 Blank = 3 inch
 4 = 4 inch

GN-DGS-

Clamp Options

Blank = BS28WS clamps
 Z = O.Z. style filter assembly clamp

Deluxe Glassware Set #GN-DGS <input type="checkbox"/> - <input type="checkbox"/> Includes:			
Part #	Description	Quantity	Qty Shipped
GN-1	Cyclone By-pass, Unground	4	
GNFA- <input type="checkbox"/>	3" or 4" Filter Assembly		
Includes:	GN-<input type="checkbox"/>S 3" or 4" Filter Inlet, Unground #28 Socket	4	
	GA-<input type="checkbox"/>T 3" or 4" TFE Filter Disk with O-Rings	4	
	GN-<input type="checkbox"/>B 3" or 4" Filter Outlet, Unground #28 Ball	4	
	GA-<input type="checkbox"/>CA 3" or 4" Filter Clamp, Open Style, Aluminum	4	
GN-8	Double L Adapter, Unground #28 Sockets	2	
GN-8-18K	Double L Adapter with type K TC assy, cap & silicone seal	2	
GN-9AO	Greenburg-Smith Impinger (with Orifice), Unground	3	
GN-9A	Mod Greenburg-Smith Impinger (Plain), Unground	7	
GN-11	U-Tube, Unground #28 Sockets	8	
TC-GW2.5	Glassware Transport Case	1	
GA- <input type="checkbox"/> P	Filter Tripod, 3" or 4"	1	
O-116V	Viton O-Ring for Grooved #28 Ball	30	
O-123V	Lower Viton O-Ring for Impinger	10	
O-126V	Upper Viton O-Ring for Impinger	10	
BS28WS	#28 Ball Joint Clamp (Generic)	30	

Deluxe Glassware Set #GN-DGS



The Apex Instruments Deluxe Glassware Kit contains enough glassware plus spares for a full test series, which allows the stacktester to expedite the testing. Four filter assemblies cover three sampling runs plus one as a spare. Two full sets of impingers and U-tubes permit a second run before recovering the first run results. The Deluxe Glassware Set includes spare impingers, U-tubes and double L's. The Deluxe Method 5 Glassware set fits easily into foam lined custom pockets to provide the maximum protection for your glassware. The sturdy transport case is lockable for secure chain-of-custody.

Options include:

- ❖ Filter assembly size (3" or 4"),
- ❖ Clamp option (standard stainless steel clamp, or combination plastic and stainless steel)
- ❖ and the O-ring option (Viton or PTFE encapsulated). Note:
*The set does not include cyclone or cyclone flask.

The figure to the right illustrates the assembly of the Glass Filter housing. The smooth side of the PTFE frit faces the Outlet. Make sure that all of the glassware is clean and dry before beginning a test run. Different reagents are required to clean the glassware for some sampling methods. The glassware should also be inspected for any cracks and/or breakage.

The filter membranes are not included in the Deluxe Glassware Set.

