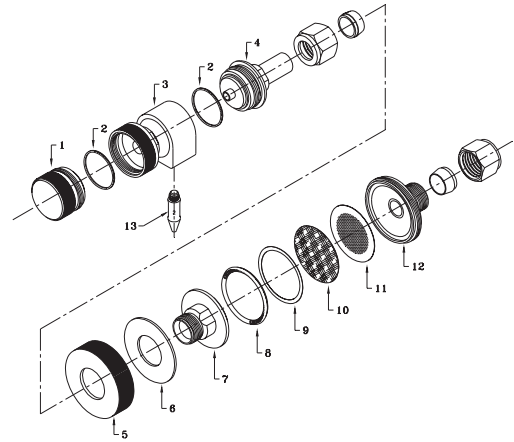


PM1 Cyclone Sampling Kit #PM1-K Packing List

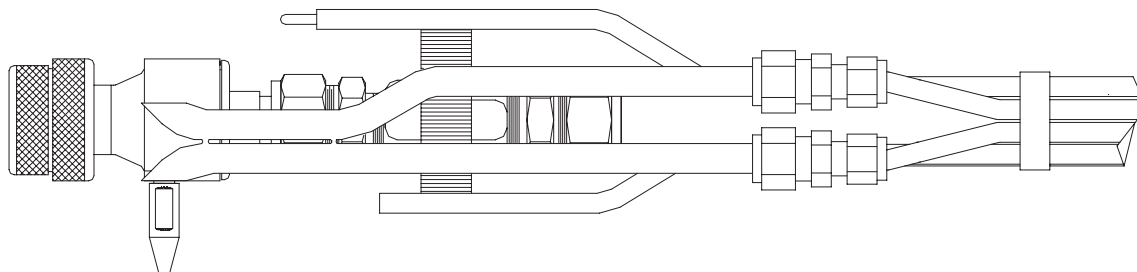


PM2- K Kit Includes					
Ref. No	Part #	Description		Quantity	Qty Shipped
	PM1	PM1 Cyclone Body, SS with Viton O-Rings		1	
1	Includes:	PM1-C	Collection Cup for PM2.5	1	
2		O-017V	O-Ring, Viton, PM2.5 (260°C/500°F)	6	
3		PM1-B	Body for the PM2.5 Cyclone	1	
4		PM1-T	Top, Outlet for the PM2.5	1	
16	PM2-NS	Nozzles, Set of 12, PM2.5, SS (<i>One Nozzle Shown</i>)		1	
	Includes:	PM2-N1	Nozzle, PM2, SS, .125 Size 1	1	
		PM2-N2	Nozzle, PM2, SS, .138 Size 2	1	
		PM2-N3	Nozzle, PM2, SS, .156 Size 3	1	
		PM2-N4	Nozzle, PM2, SS, .172 Size 4	1	
		PM2-N5	Nozzle, PM2, SS, .188 Size 5	1	
		PM2-N6	Nozzle, PM2, SS, .200 Size 6	1	
		PM2-N7	Nozzle, PM2, SS, .216 Size 7	1	
		PM2-N8	Nozzle, PM2, SS, .234 Size 8	1	
		PM2-N9	Nozzle, PM2, SS, .253 Size 9	1	
		PM2-N10	Nozzle, PM2, SS, .274 Size 10	1	
		PM2-N11	Nozzle, PM2, SS, .296 Size 11	1	
		PM2-N12	Nozzle, PM2, SS, .320 Size 12	1	
	SFA-47	Filter Assembly, 47mm, 5/8TU, SS		1	
5	Includes:	10F-S	Ferrules, 5/8TU, Single, SS	2	
6		N-10	Nut, 5/8, Tube, SS	2	
7		SFA-47R	Ring, Knurled and Threaded, SS	1	
8		SF-TT20	Thrust Ring, Teflon .062" thick	1	
9		SFA-47I	Inlet, Filter, SS for SFA-47	1	
10		O-223V	O-Ring, Viton for SFA-47 (260°C/500°F)	3	
11		SFA-47RFG	Filter Guard Ring, SS	1	
12		SFA-47SS	Screen, Filter Support, SS	1	
13		SFA-47O	Outlet, Filter, SS	1	
	PM10-CASE	Case, PM10 or PM2.5, with Foam Insert, Cyclone		1	
	Includes:	SH-32	Case, Plastic, Molded	1	
		PM10-FOAM	Foam Insert	1	

PM2.5 Cyclone Sampling Kit



The PM2.5 Cyclone is designed for in-stack measurement of particulate matter equal to or less than 2.5 microns. The shank has a 5/8-inch outer diameter for easy adaptation to Method 5 probe assemblies. The cyclone is enclosed in a sturdy foam lined plastic case with the eight nozzles and the SFA-47 (Stainless Steel Filter Holder).



<i>Optional Parts and Accessories:</i>		
10* <i>Option</i>	47mm TFE Coated Glass Fiber Filters, 100/box	GF-47T
8* <i>Option</i>	O-Ring, Stainless Steel, SFA-47 (650°C/1200°F)	O-223H
2* <i>Option</i>	O-Ring, Stainless Steel, PM1 (650°C/1200°F)	O-017H
<i>Not Shown</i>	Extended Pitot Tip for PM 2.5, PM1	MPT-6-181
<i>Not Shown</i>	Antiseize, Nickel Based, 4-oz can w/brush	AZNI-4

For more information please contact us at:

Tel: (919) 557-7300 / Fax: (919) 557-7110 / Email: info@apexinst.com / Web: www.apexinst.com